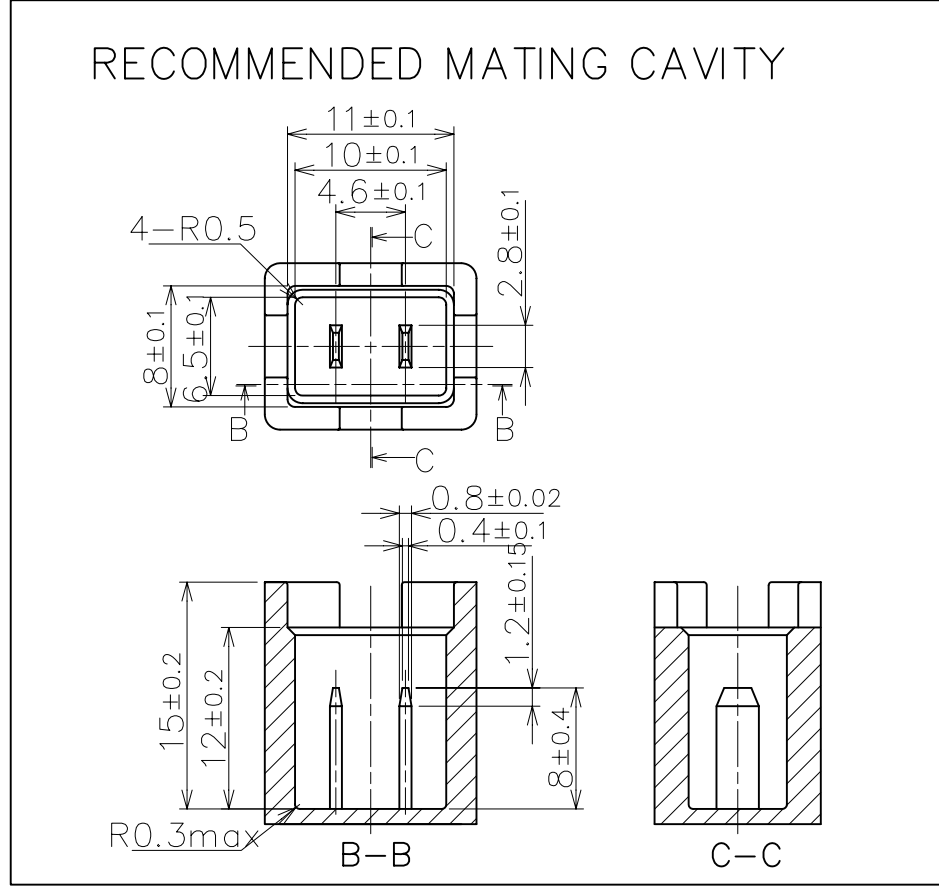
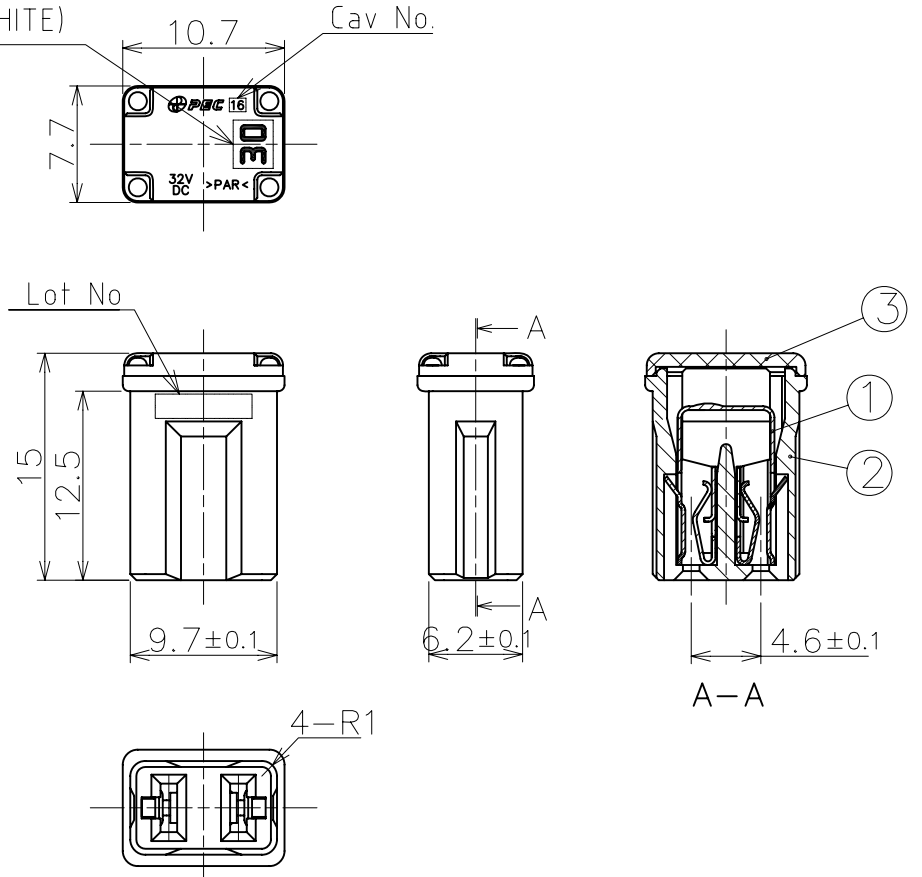


NO.	DATE	REVISION RECORD	SIGN	E.C.N.NO.

RATED CURRENT:
HOT STAMPING(WHITE)



<NOTES>

- 1.THIS SHOWS SBFC-M 30A,ANOTHER IS DIFFERENT IN HOUSING COLOR AND INDICATION OF COVER.
- 2.AMPERE RATING SHALL BE MARKED EITHER ON THE INDICATED POSITION IN THIS DRAWING OR THE SAME POSITION WHEN THE COVER IS REVOLVED BY 180°.

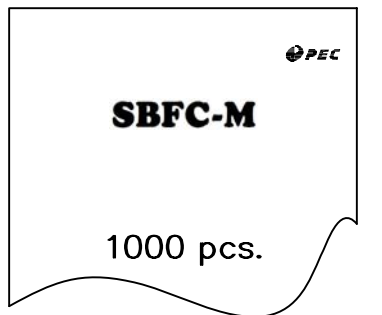

CURRENT RATING(A)	PART NO.	HOUSING COLOR CODE
15A	31130001	GRAY
20A	31230011	LIGHT BLUE
25A	31730001	WHITE
30A	31330011	PINK
40A	31430011	GREEN

NUMBER	PART NUMBER	PART NAME	Q'TY	MATERIAL	SIZE	REMARKS
3		COVER	1	PAR		PURPLE
2		HOUSING	1	PAGT		
1		ELEMENT	1	Cu Alloy		Tin plating

APPROVED	<i>cl. Oato</i>	DATE		MATERIAL		ANGULAR TOLERANCE	
CHECKED	<i>mlr</i>	DATE			±0.3		
DESIGNED	<i>T. Kobayashi</i>	DATE		COAXIAL TOLERANCE	FINISH	RUST PREVENTION	
DRAWN	<i>M. Tsunasaki</i>	DATE	16.Dce.13				
SCALE	2:1	UNIT	mm	DIAGRAM METHOD	THIRD ANGLE PROJECTION	PART NAME	SBFC-M page1
DRAWING DATE	16.Dce.13	DRAWING NAME	G3123-0-5	PART NO.			

NO.	DATE	REVISION RECORD	SIGN	E.C.N.NO.

Packaging specification

packaging information		Inner packaging	Outer packaging
	Material	Plastic bag (0.07×230W×285H)	Cardboard box (390×260×121)
	seal of part no.		ID tag
	Marking	 <p>Character color M: Black</p>	
	Capacity	1,000 pcs	4 bags(4,000pcs)
Method	<ol style="list-style-type: none"> Put 1,000pcs. into the specified plastic bag. Arrange two plastic bags in the cardboard box and pile up then one more step. Total 4 bags are put in a cardboard box. Seal the cardboard box with PP Tape and put the ID tag on the side of the box (Prescribed place). 		

NUMBER	PART NUMBER	PART NAME	Q'TY	MATERIAL	SIZE	REMARKS
APPROVED	<i>al. Oato</i>	DATE	_____	MATERIAL	DIMENSION TOLERANCE	ANGULAR TOLERANCE
CHECKED	<i>mlr</i>	DATE	_____	_____	±0.3	_____
DESIGNED	<i>T. Kobayashi</i>	DATE	_____	COAXIAL TOLERANCE	FINISH	RUST PREVENTION
DRAWN	<i>M. Tsunomaki</i>	DATE	16.Dce.13	_____	_____	_____
SCALE	UNIT	DIAGRAM METHOD		PART NAME		
_____	mm	THIRD ANGLE PROJECTION		SBFC-M page2		
DRAWING DATE		DRAWING NAME		PART NO.		
16.Dce.13		G3123-0-5		_____		